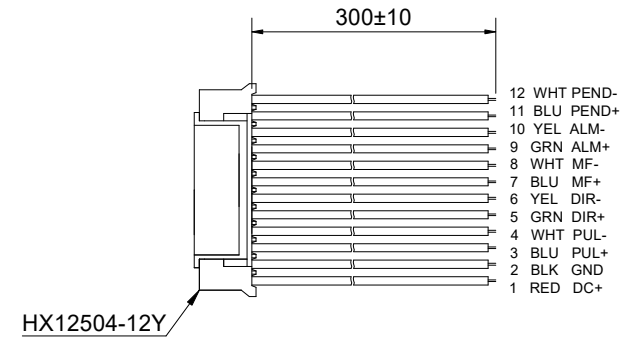
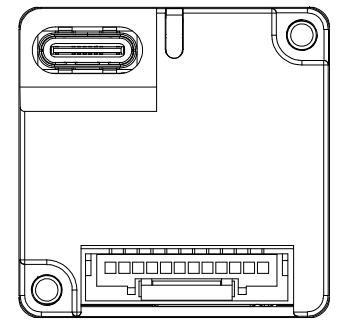
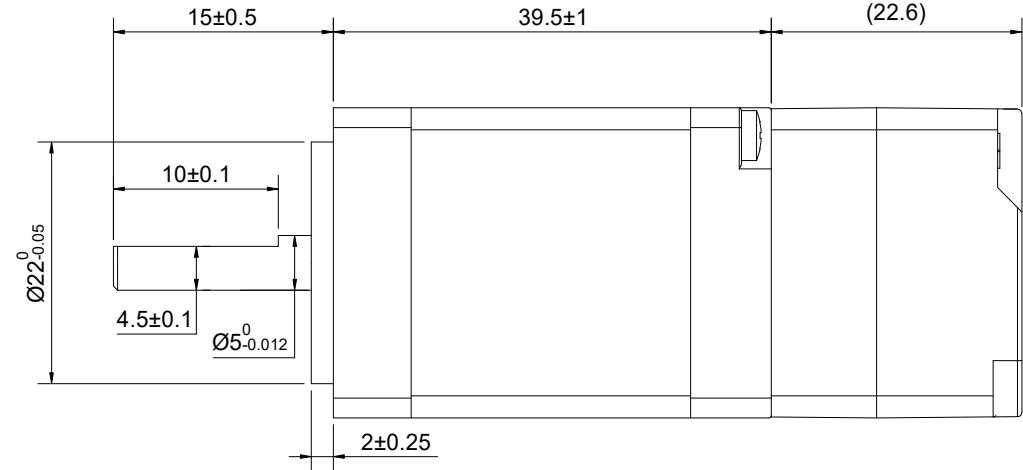
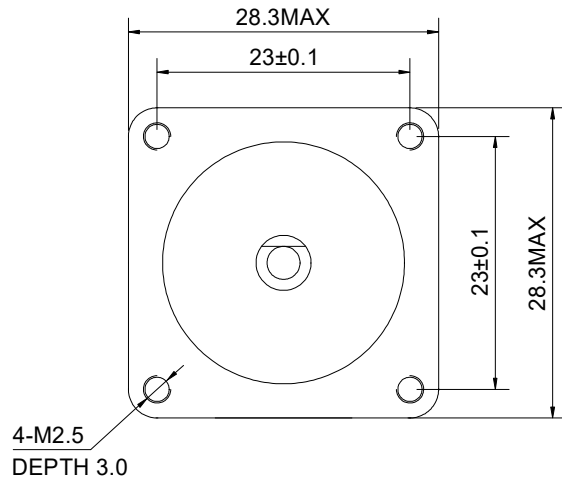


REV.	REVISION RECORD	BY	DATE
0	ORIGIN	LDJ	4.20.2026

CUSTOMER'S MODEL: NO MODEL
 END COVER COLOR: BLACK



CONNECTION	BIPOLAR
SPECIFICATION	
POWER VOLTAGE(V)	24
CONTINUOUS OUTPUT CURRENT(A)	0.1~1.2
LOGICAL VOLTAGE(V)	5
PEAK CURRENT(A)	1.0
HOLDING TORQUE(Nm)[lb-in]	0.074[0.655]
STEP ANGLE(°)	1.80
STEP ACCURACY(NON-ACCUM)	±5.00%
ROTOR INERTIA(g-cm ²)	10
WEIGHT(Kg)[lb]	0.09[0.198]
AMBIENT TEMPERATURE	0°C~55°C[32°F~131°F]
INSULATION CLASS	B 130°C[266°F]
TEMPERATURE RISE	MAX.75°C

FULL STEP 2 PHASE-Ex.,WHEN FACING MOUNTING END (X)					DIMENSIONS ARE IN MILLIMETERS.	
STEP	A+	B+	A-	B-	DECIMALS	ANGLES
1	+	+	-	-	X ±0.5	±2°
2	-	+	+	-	X.X ±0.25	
3	-	-	+	+	X.XX ±0.13	
4	+	-	-	+		
					THIRD ANGLE PROJECTION	

STEPPERONLINE®

INTEGRATED STEPPER MOTOR

ESS11-P01

SIGNATURE	DATE	REV.	2	SCALE	1:1	DWG NO.	A6771
DRN	LDJ	4.20.2026					
APVD	LJ	4.20.2026					

THIS DOCUMENT SHALL NOT BE REPRODUCED NOR SHALL THE INFORMATION CONTAINED HEREIN BE USED BY OR DISCLOSED TO OTHERS UNLESS EXPRESSLY AUTHORIZED IN BY WRITING STEPPERONLINE.