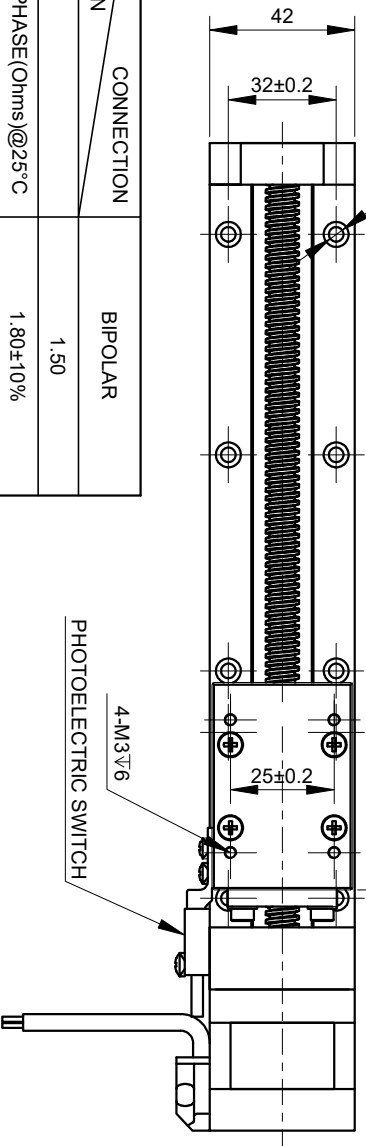
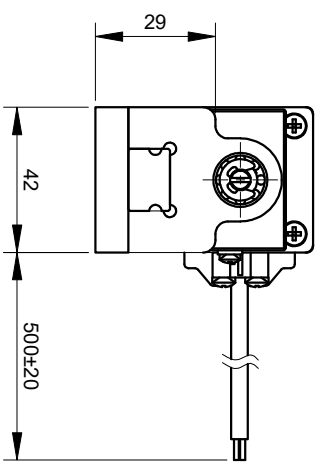
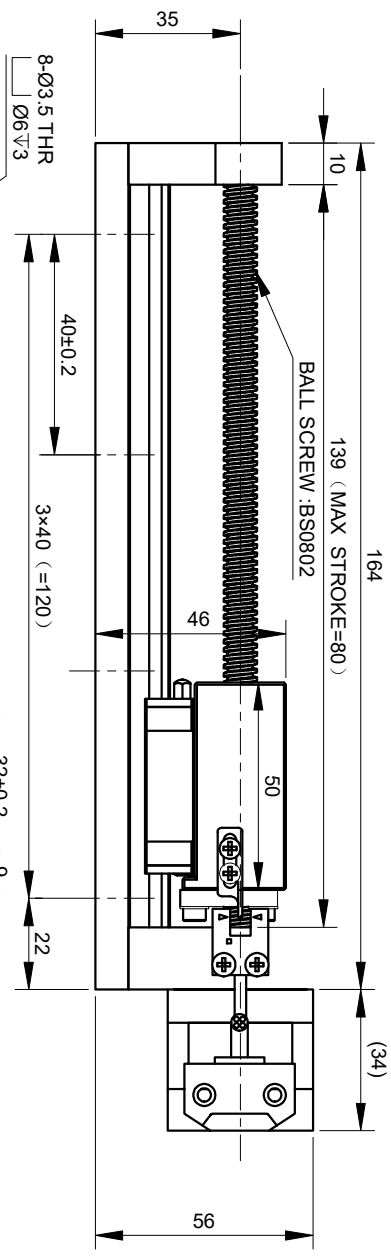


CUSTOMER'S MODEL: NO MODEL  
 END COVER COLOR: BLACK

REV.	REVISION RECORD	BY	DATE
0	ORIGIN	LJ	3.19.2026



PHOTOELECTRIC SWITCH SEQUENCE	
PIN NO	LEADS
1	BIPOLAR +5-24V BRN
2	GND BLU
3	SIGNAL LINE BLK
4	N/A WHT

SPECIFICATION	BIPOLAR
AMPS/PHASE	1.50
RESISTANCE/PHASE(Ohms)@25°C	1.80±10%
INDUCTANCE/PHASE(mH)@1KHz	2.60±20%
HOLDING TORQUE(Nm) [lb-in]	0.25 [2.2]
MAXIMUM THRUST(N)	375
STEP ANGLE(°)	1.80
STEP ACCURACY(NON-ACCUM)	±5.00%
LEAD(mm) [in]	2 [0.0787]
LINEAR TRAVEL/STEP(mm) [in]	0.01 [0.0003937]
RATED LOAD CAPACITY(N)	355
MAX SPEED(mm/s)	60
POSITION ACCURACY(mm)	±0.02
AMBIENT TEMPERATURE	-20°C-50°C [-4°F-122°F]
INSULATION CLASS	B [130°C [266°F]]
TEMPERATURE RISE	MAX. 80°C

**COMMENT:**  
 1. TMBF 6000h OR MORE @ 24V/300RPM  
 2. INSULATION RESISTANCE (NORMAL TEMPERATURE AND HUMIDITY): 100 Mohm  
 3. DIELECTRIC STRENGTH 500VAC FOR 1MIN. (BETWEEN THE MOTOR COILS AND THE MOTOR CASE )

MOTOR CONNECTION		
PIN NO	BIPOLAR LEADS	WINDING
1	A+	RED
2	A-	RED/WHT
3	B+	GRN
4	B-	GRN/WHT

FULL STEP 2 PHASE-EX. WHEN FACING MOUNTING END (X)				
STEP	A+	B+	A-	B-
1	+	+	-	-
2	-	+	+	-
3	-	-	+	+
4	+	-	-	+

**STEPPERONLINE®**  
**LINEAR ACTUATORS**  
 LMD17S13BAB15-080

THIS DOCUMENT SHALL NOT BE REPRODUCED NOR SHALL THE INFORMATION CONTAINED HEREIN BE USED BY OR DISCLOSED TO OTHERS UNLESS EXPRESSLY AUTHORIZED IN WRITING BY STEPPERONLINE.

SIGNATURE	DATE
DRN	3.19.2026
APVD	3.19.2026

REV.	SCALE	DWG. NO.	A6013
0	1:1		