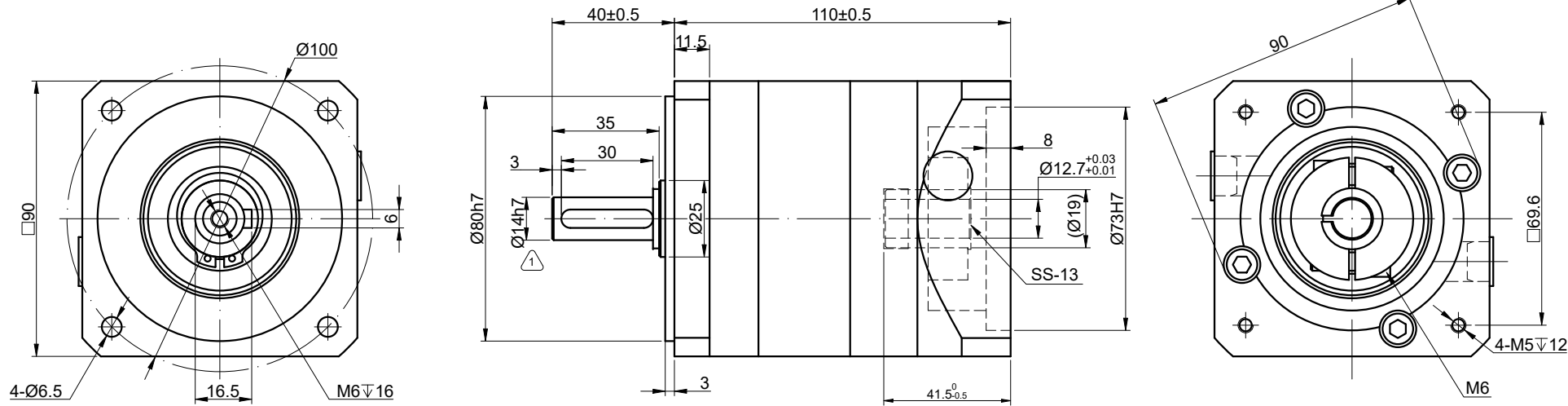


REV.	REVISION RECORD	BY	DATE
0	ORIGIN	YSX	3.2.2026
1	OUTPUT SHAFT	YSX	3.13.2026



NOTE: BY DEFAULT, GEAR BOX COMES WITH SS-13 SHAFT SLEEVE.

SPECIFICATION	CONNECTION	VALUE
GEAR RATIO		4
EFFICIENCY		96%
BACKLASH@NO-LOAD(arcmin)		<=15
MAX.PERMISSIBLE TORQUE(Nm)[lb-in]		45.00[398.28]
MOMENT PERMISSIBLE TORQUE(Nm)[lb-in]		90.00[796.57]
SHAFT MAXIMUM AXIAL LOAD(N)		600
SHAFT MAXIMUM RADIAL LOAD(N)		800
GEARBOX MATCHING MOTOR'S INPUT SHAFT LENGTH (mm)		22-41
RATED INPUT SPEED(RPM)		3000
MAX. INPUT SPEED(RPM)		6000
NOISE(dB)		<=65
WATERPROOF RATING		IP54
LIFE(h)		20000
WORKING TEMPERATURE		-20°C~150°C[-4°F~302°F]

DIMENSIONS ARE IN MILLIMETERS.
TOLERANCES AS BELOW:
DECIMALS ANGLES
X ±0.5 ±2°
X.X ±0.25
X.XX ±0.13

THIRD ANGLE PROJECTION	
SIGNATURE	DATE
DRN YSX	3.13.2026
APVD LJ	3.13.2026

STEPPERONLINE®

PLANETARY GEARBOX

CD-001

REV.	1	SCALE	1:2	DWG NO.
------	---	-------	-----	---------